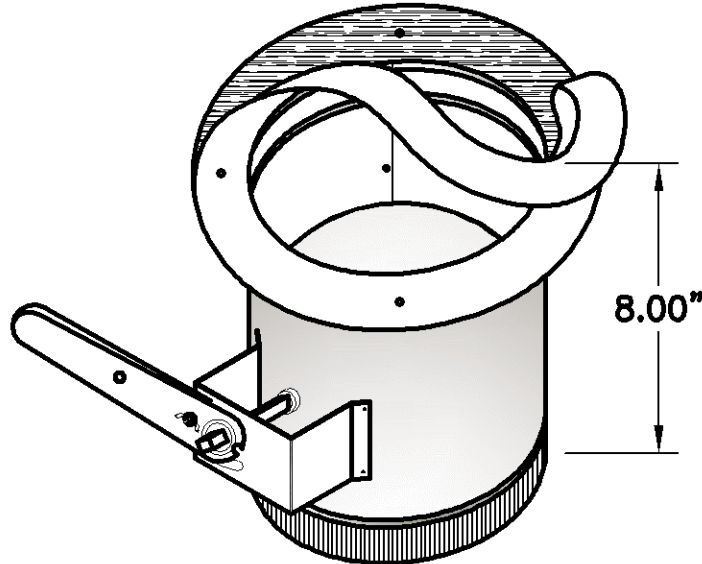




MODEL #

203-D

DESCRIPTION:
 STICK-ON TAKEOFF W/
 GASKET, DAMPER & 2"
 STANDOFF QUADRANT AND
 NYLON END BEARINGS



* 26 GAUGE GALVANIZED SHEET METAL CONSTRUCTION.

PRODUCT NOTES:	SIZES AVAILABLE:
<p>TAKEOFF FITTINGS ARE CONSTRUCTED OF GALVANIZED SHEET METAL OF LOCK FORMING AND ROLL FORMING QUALITY.</p> <p>THE 1" WIDE MOUNTING FLANGE COMES WITH PRE-PUNCHED SCREW HOLES.</p> <p>A PEEL OFF ADHESIVE GASKET IS PROVIDED BY THE FACTORY TO HOLD THE FITTING SECURELY IN PLACE DURING INSTALLATION AND TO ASSURE MINIMAL LEAKAGE.</p> <p>2" STANDOFF QUADRANT & NYLON END BEARINGS.</p> <p>3/8" SHAFT WITH V-CRIMP ACROSS AXIS OF DAMPER</p> <p>8" BARREL LENGTH.</p>	<p>DIAMETER</p> <p>4"</p> <p>5"</p> <p>6"</p> <p>7"</p> <p>8"</p> <p>9"</p> <p>10"</p> <p>12"</p> <p>14"</p> <p>16"</p> <p>18"</p> <p>20"</p>

JOB _____ DATE _____

ARCHITECT _____ REPRESENTATIVE _____

ENGINEER _____ P.O. # _____

CONTRACTOR _____