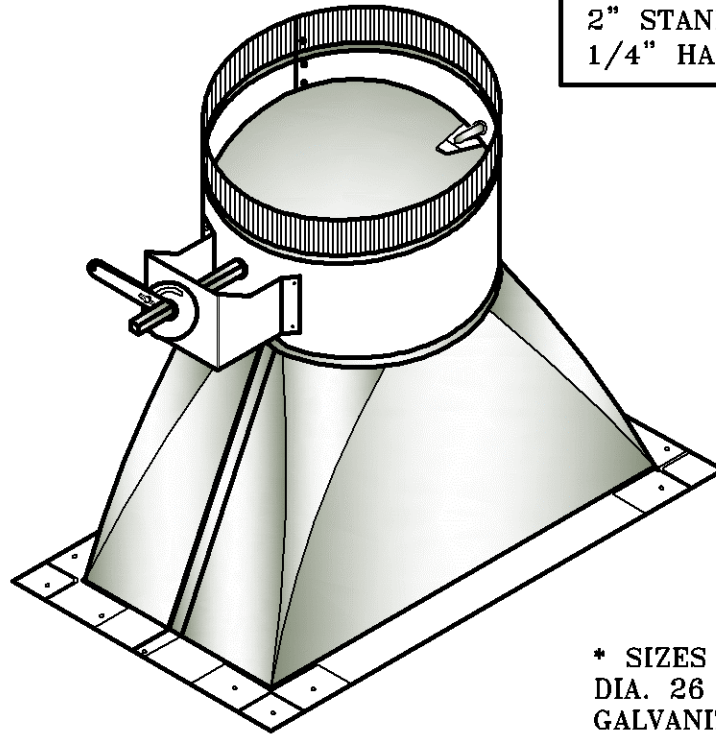




MODEL # AT-602

DESCRIPTION:
 CENTERLINE AIRTIGHT
 TAKEOFF W/ GASKET, DAMPER
 2" STANDOFF QUADRANT AND
 1/4" HARDWARE.



* SIZES 4" THROUGH 9"
 DIA. 28 GAUGE
 GALVANIZED SHEET
 METAL.

* SIZES 10" THROUGH 20"
 DIA. 26 GAUGE
 GALVANIZED SHEET METAL.

PRODUCT NOTES:	SIZES AVAILABLE:	
<p>TAKEOFF FITTINGS ARE CONSTRUCTED OF GALVANIZED SHEET METAL OF LOCK FORMING AND ROLL FORMING QUALITY.</p> <p>THE 1" WIDE MOUNTING FLANGES COME COMPLETE WITH DIE FORMED CORNER CLIPS FOR ADDED RIGIDITY AND PRE-PUNCHED SCREW HOLES.</p> <p>A PEEL OFF ADHESIVE GASKET IS PROVIDED BY THE FACTORY TO HOLD THE FITTING SECURELY IN PLACE DURING INSTALLATION AND TO ASSURE MINIMAL LEAKAGE.</p> <p>DAMPER BLADE CAN BE CONSTRUCTED WITH 28, 26, 24 OR 22 GAUGE MATERIAL.</p>	<p style="text-align: center;">DIAMETER</p> <p>4"</p> <p>5"</p> <p>6"</p> <p>7"</p> <p>8"</p> <p>9"</p> <p>10"</p> <p>12"</p> <p>14"</p> <p>16"</p> <p>18"</p> <p>20"</p>	<p style="text-align: center;">RECTANGULAR OPENING</p> <p>8" X 6"</p> <p>10" X 5"</p> <p>12" X 6"</p> <p>12" X 6"</p> <p>12" X 6"</p> <p>15" X 6"</p> <p>16" X 6.5"</p> <p>18" X 8.5"</p> <p>20" X 9.5"</p> <p>24" X 12"</p> <p>26" X 14"</p> <p>28" X 16"</p>

JOB _____ DATE _____

ARCHITECT _____ REPRESENTATIVE _____

ENGINEER _____ P.O. # _____

CONTRACTOR _____