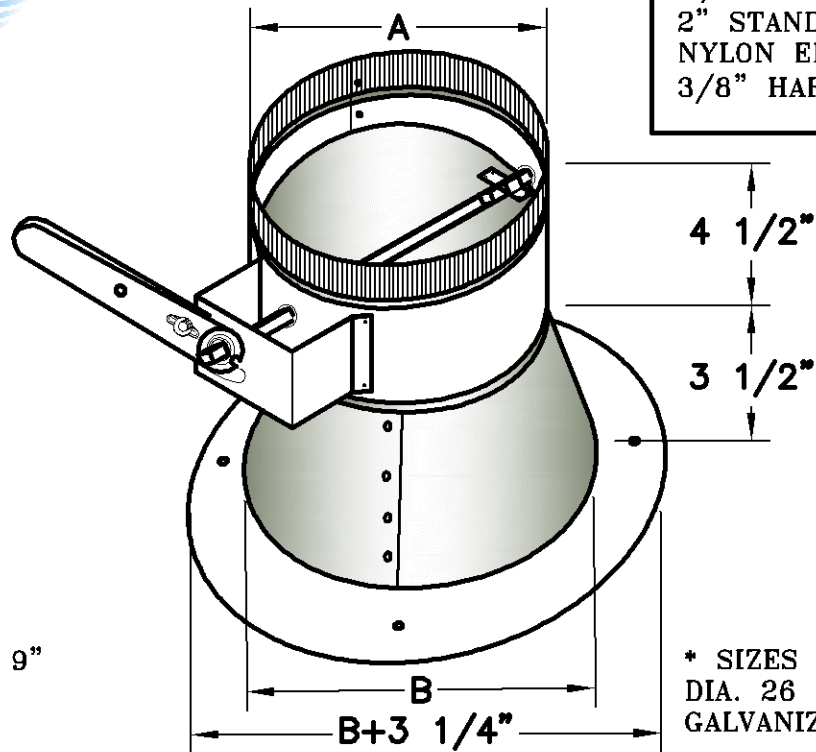




MODEL #

C-403

DESCRIPTION:
 CONICAL STICK - ON SLEEVE
 W/ FLANGE, GASKET, DAMPER,
 2" STANDOFF QUADRANT,
 NYLON END BEARINGS, AND
 3/8" HARDWARE



* SIZES 4" THROUGH 9"
 DIA. 28 GAUGE
 GALVANIZED SHEET
 METAL.

* SIZES 10" THROUGH 18"
 DIA. 26 GAUGE
 GALVANIZED SHEET METAL.

PRODUCT NOTES:

CONICAL SLEEVES ARE CONSTRUCTED OF GALVANIZED SHEET METAL OF LOCK FORMING AND ROLL FORMING QUALITY.

BARREL EXIT IS BEADED AND CRIMPED.

FACTORY ASSEMBLED DAMPER HARDWARE W/ 3/8" DAMPER SHAFT.

ADHESIVE - BACKED GASKET FOR FAST, AIRTIGHT INSTALLATION

DAMPER BLADE CAN BE CONSTRUCTED WITH 28, 26, 24 OR 22 GAUGE MATERIAL.

SIZES AVAILABLE:

| A | B |
|-----|--------|
| 4" | 5.75" |
| 5" | 6.75" |
| 6" | 7.75" |
| 7" | 8.75" |
| 8" | 9.75" |
| 9" | 10.75" |
| 10" | 11.75" |
| 12" | 13.75" |
| 14" | 15.75" |
| 16" | 17.75" |
| 18" | 19.75" |

JOB _____ DATE _____

ARCHITECT _____ REPRESENTATIVE _____

ENGINEER _____ P.O. # _____

CONTRACTOR _____