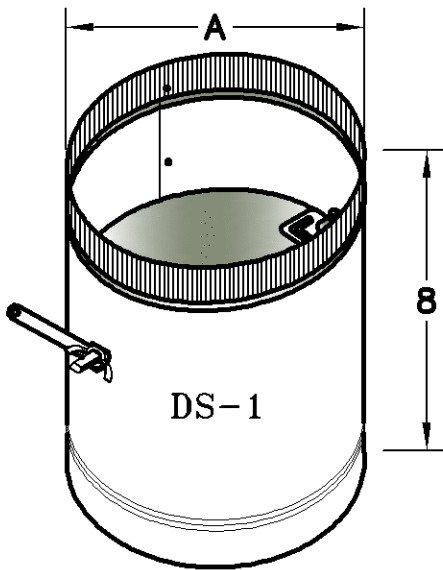




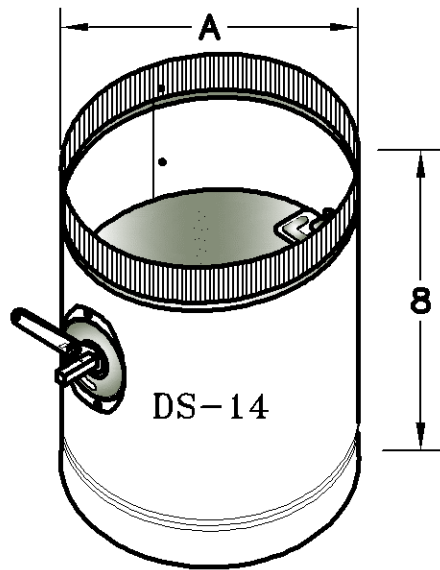
MODEL #

DS

DESCRIPTION:
DAMPER SECTIONS
(LIGHT GAUGE)

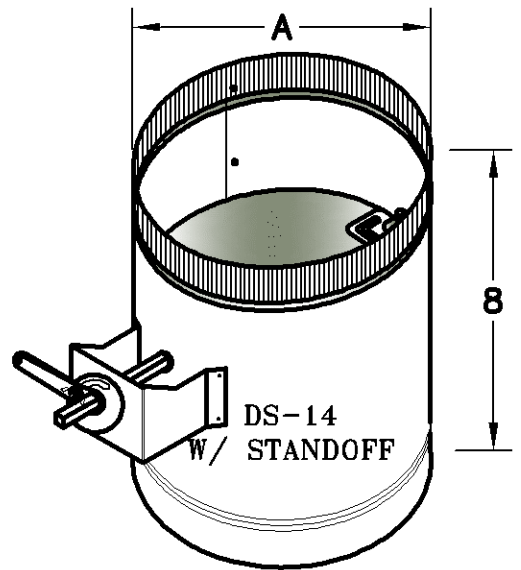


DS-1



DS-14

1/4" HARDWARE



DS-14
W/ STANDOFF

WITH 2" STANDOFF
QUADRANT AND 1/4"
HARDWARE

PRODUCT NOTES:

DAMPER SECTION FITTINGS ARE CONSTRUCTED OF GALVANIZED SHEET METAL OF LOCK FORMING AND ROLL FORMING QUALITY WITH RIVETED CONSTRUCTION.

BARREL EXIT IS BEADED AND CRIMPED.

DAMPER BLADE CAN BE CONSTRUCTED WITH 28, 26, 24 OR 22 GAUGE MATERIAL.

FACTORY ASSEMBLED DAMPER HARDWARE.

WITH OR WITHOUT 2" STANDOFF QUADRANT WITH 1/4" AXLE SHAFT.

SIZES AVAILABLE:

A

- 4"
- 5"
- 6"
- 7"
- 8"
- 9"
- 10"
- 12"
- 14"
- 16"
- 18"

JOB _____ DATE _____

ARCHITECT _____ REPRESENTATIVE _____

ENGINEER _____ P.O. # _____

CONTRACTOR _____