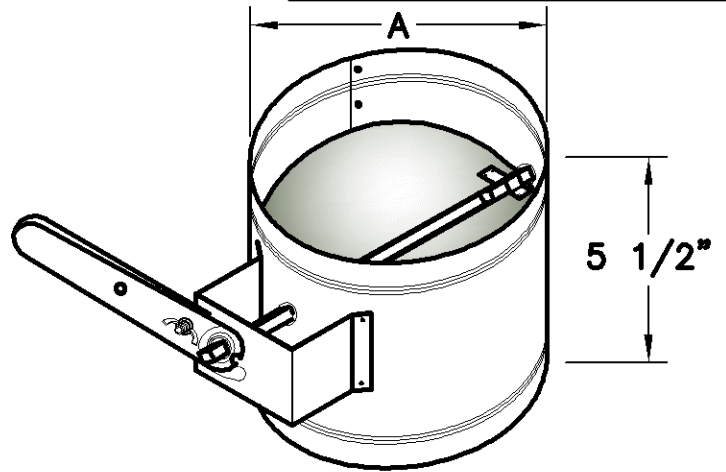
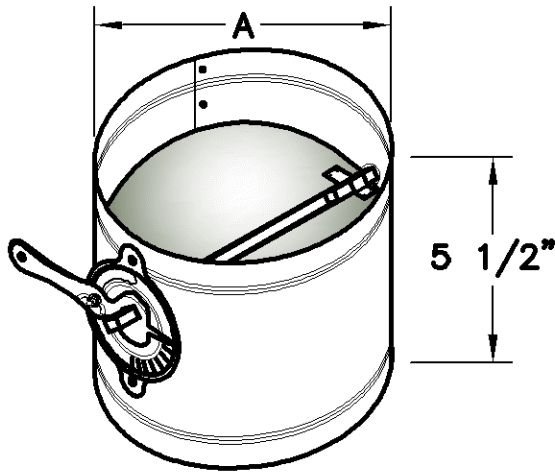




**MODEL #**

**RBD-38**

**DESCRIPTION:**  
 DAMPER SECTION WITH  
 DAMPER, NYLON END  
 BEARINGS, 3/8" HARDWARE.  
 (HEAVY GAUGE)



**A HEAVY DUTY MANUAL BALANCING DAMPER WHICH MEETS OR EXCEEDS SMACNA STANDARDS AS PER HVAC DUCT CONSTRUCTION STANDARDS - SECOND EDITION - 1995**

<b>PRODUCT NOTES:</b>	<b>SIZES AVAILABLE:</b>
<p>DAMPER SECTIONS ARE CONSTRUCTED OF 22 GAUGE GALVANIZED SHEET METAL.</p> <p>FACTORY ASSEMBLED ADJUSTABLE DAMPER HARDWARE WITH 3/8" DAMPER SHAFT.</p> <p>DAMPER BLADE IS CONSTRUCTED WITH 20 GAUGE MATERIAL WITH STRENGTHENING CRIMP ACROSS CENTER.</p> <p>3/8" SQUARE CONTROL SHAFT AXLE</p> <p>MOLDED SYNTHETIC BEARINGS.</p> <p>UNIT IS CONSTRUCTED 1/8" UNDER LISTED DUCT SIZE.</p> <p>AVAILABLE WITH OR WITHOUT 2" STANDOFF BRACKET.</p>	<p style="text-align: center;">A</p> <p style="text-align: center;">4" 5" 6" 7" 8" 9" 10" 12" 14" 16" 18"</p>

JOB \_\_\_\_\_ DATE \_\_\_\_\_

ARCHITECT \_\_\_\_\_ REPRESENTATIVE \_\_\_\_\_

ENGINEER \_\_\_\_\_ P.O. # \_\_\_\_\_

CONTRACTOR \_\_\_\_\_