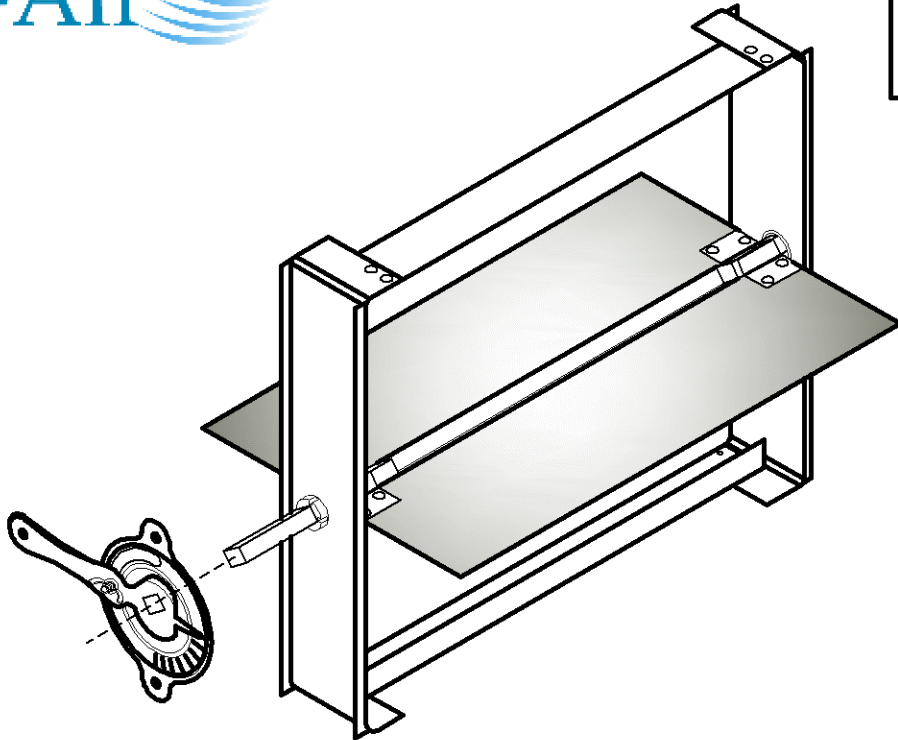




MODEL # SBD-38

DESCRIPTION:
SINGLE BLADE DAMPER WITH
LOCKING QUADRANT.



MODEL # SBD-38

- *FRAME CONSTRUCTION- 18 GAUGE GALVANIZED STEEL.
- *BLADE CONSTRUCTION- 18 GAUGE GALVANIZED STEEL.
- *CONTROL SHAFT- 3/8" SQUARE AXLE EXTENDING OUTSIDE FRAME
3 3/4" WITH CAIN MFG. #D38 LOCKING
QUADRANT.
- *MOLDED SYNTHETIC BEARINGS.
- *MINIMUM SIZE 4X4, MAXIMUM SIZE 24X18.
- *UNIT IS CONSTRUCTED 1/8" UNDER LISTED DUCT DIMENSIONS.
- *2" STANDOFF BRACKETS AVAILABLE UPON REQUEST.
- *QUADRANTS AND STANDOFF BRACKETS SHIPPED LOOSE FOR
EXTERIOR DUCT MOUNTING.

JOB _____	DATE _____
ARCHITECT _____	REPRESENTATIVE _____
ENGINEER _____	P.O. # _____
CONTRACTOR _____	