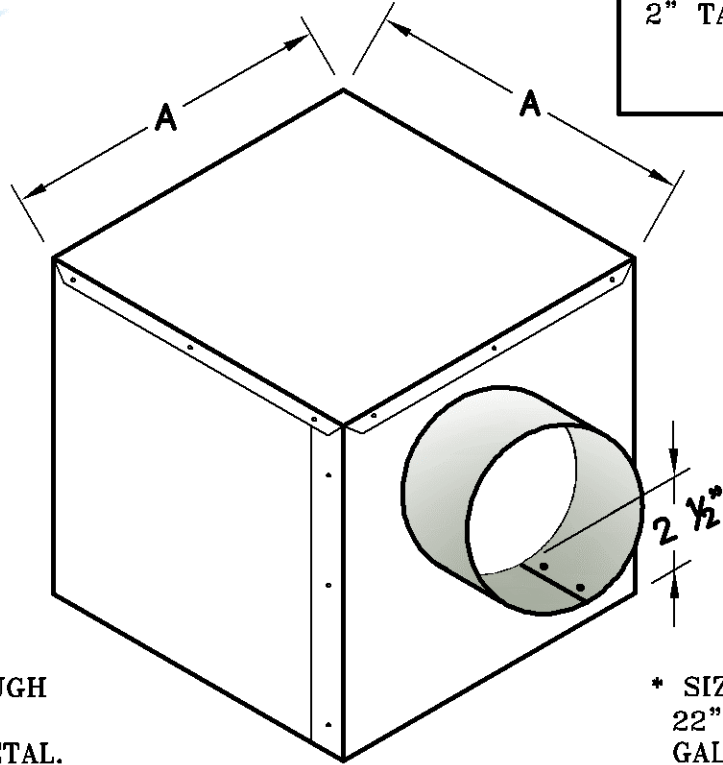




**MODEL #**      **TR-SI**

**DESCRIPTION:**  
**SIDE INLET TRANSITIONS WITH**  
**2" TALL ROUND NECK.**



\* SIZES 6" X 6" THROUGH  
 10" X 10" 28 GAUGE  
 GALVANIZED SHEET METAL.

\* SIZES 12" X 12" THROUGH  
 22" X 22" 26 GAUGE  
 GALVANIZED SHEET METAL.

PRODUCT NOTES:	SIZES AVAILABLE:
<p>SIDE INLET TRANSITIONS ARE CONSTRUCTED OF GALVANIZED SHEET METAL OF LOCK FORMING AND ROLL FORMING QUALITY.</p> <p>SIDE INLET TRANSITIONS ARE AVAILABLE WITH FLAT BLACK PAINTED INTERIOR (26 GAUGE ONLY) PLUS 20%.</p> <p>SIDE INLET TRANSITIONS ARE AVAILABLE WITH INTERNAL INSULATION (1/2" MICROMAT) PLUS 60%.</p> <p>OVERALL HEIGHT WILL BE ROUND COLLAR DIAMETER PLUS 3 1/2".</p>	<p>"A" DIM.</p> <p>6" X 6"</p> <p>8" X 8"</p> <p>9" X 9"</p> <p>10" X 10"</p> <p>11" X 11"</p> <p>12" X 12"</p> <p>14" X 14"</p> <p>16" X 16"</p> <p>18" X 18"</p> <p>20" X 20"</p> <p>22" X 22"</p>

JOB \_\_\_\_\_ DATE \_\_\_\_\_

ARCHITECT \_\_\_\_\_ REPRESENTATIVE \_\_\_\_\_

ENGINEER \_\_\_\_\_ P.O. # \_\_\_\_\_

CONTRACTOR \_\_\_\_\_