

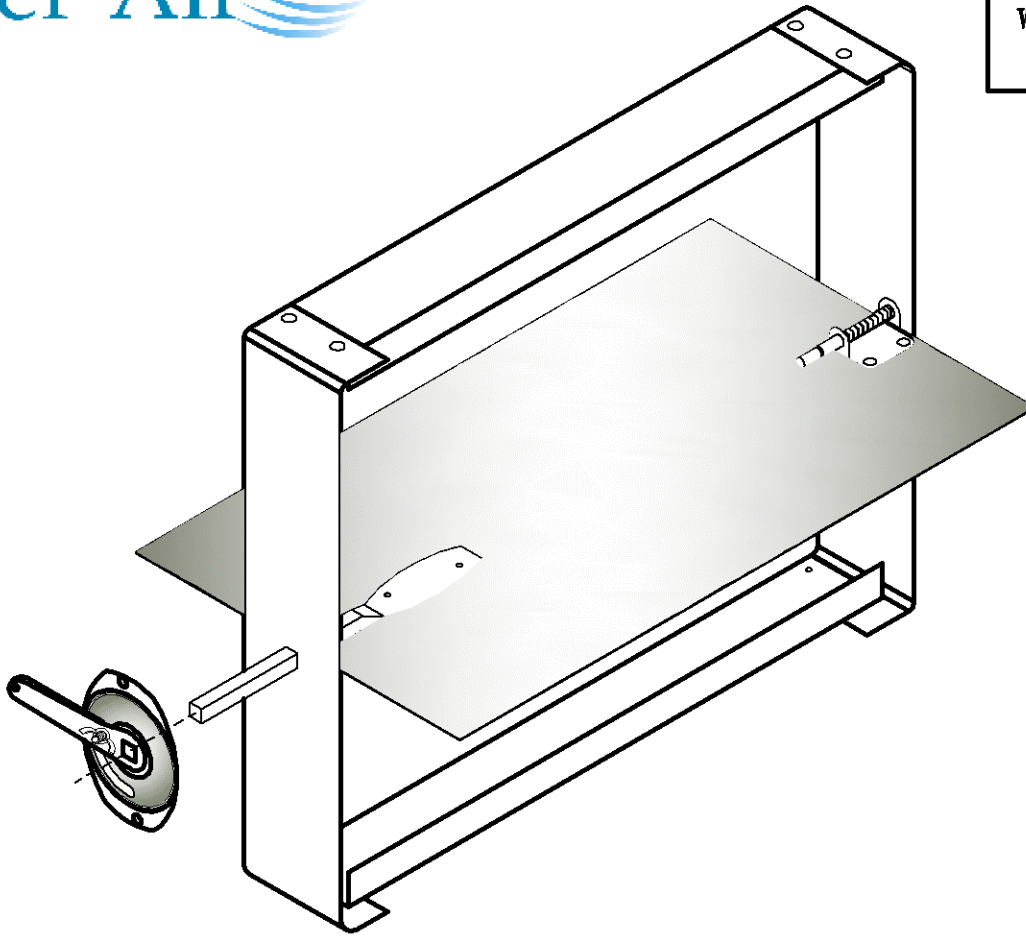


MODEL #

VCD

DESCRIPTION:

VOLUME CONTROL DAMPER WITH LOCKING QUADRANT.



**MODEL # VCD**

\*CONSTRUCTION- 18 GAUGE GALVANIZED SHEET METAL - RIVETED.

\*1/4" ROD OPERATOR WITH LOCKING QUADRANT.

**OPTIONAL FEATURES:**

\*END BEARINGS FOR SMOOTHER/QUIETER OPERATION.

\*QUADRANTS AND STANDOFF BRACKETS SHIPPED LOOSE FOR EXTERIOR DUCT MOUNTING.

JOB \_\_\_\_\_ DATE \_\_\_\_\_

ARCHITECT \_\_\_\_\_ REPRESENTATIVE \_\_\_\_\_

ENGINEER \_\_\_\_\_ P.O. # \_\_\_\_\_

CONTRACTOR \_\_\_\_\_