

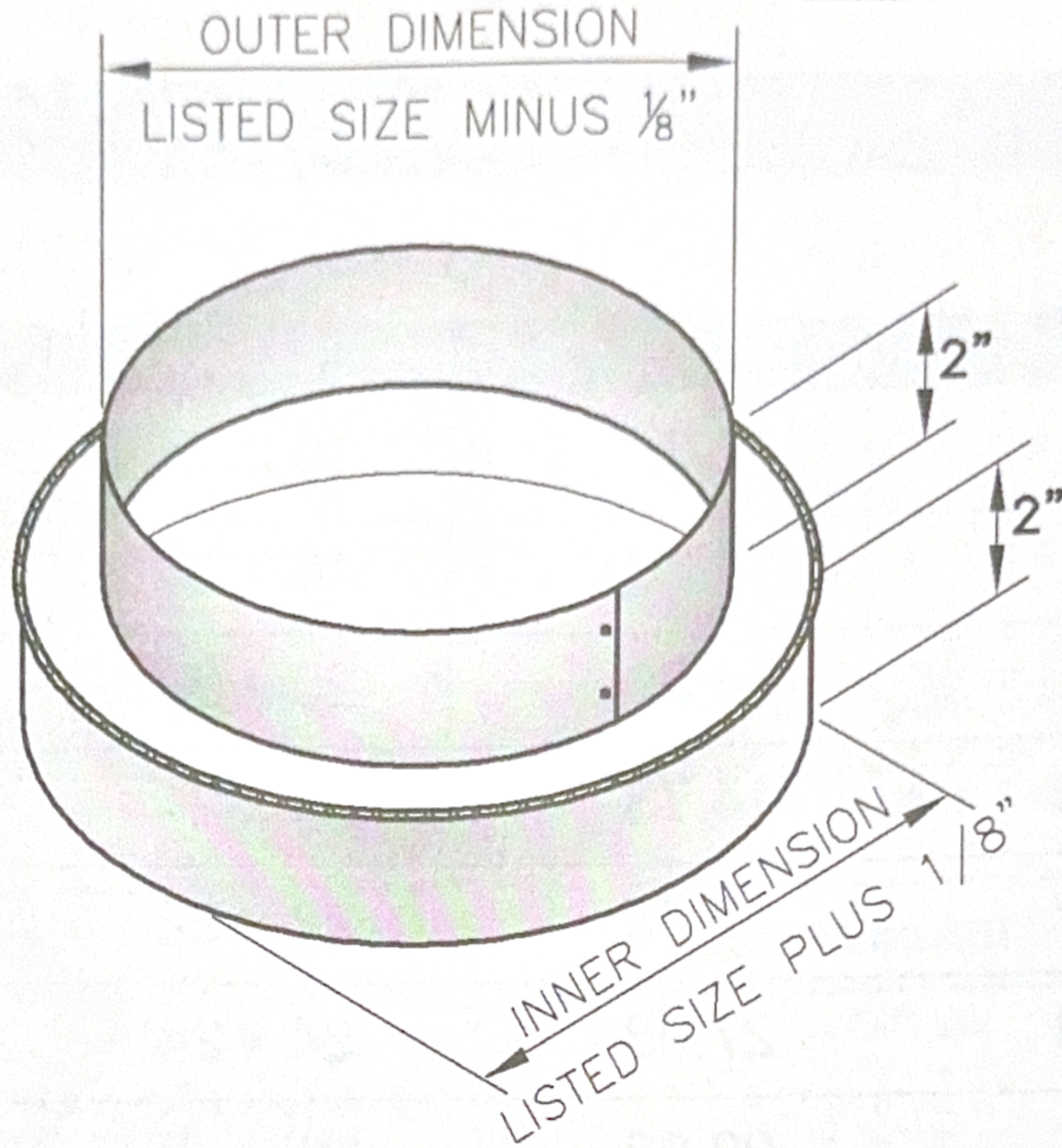


MODEL #

SR

DESCRIPTION:

SHORT REDUCERS.



**MODEL # SR**

\*CONSTRUCTION- 28 GAUGE GALVANIZED SHEET METAL - RIVETED.

\*2" HIGH ROUND NECKS.

\*OTHER GAUGES AVAILABLE UPON REQUEST.

JOB _____	DATE _____
ARCHITECT _____	REPRESENTATIVE _____
ENGINEER _____	P.O. # _____
CONTRACTOR _____	